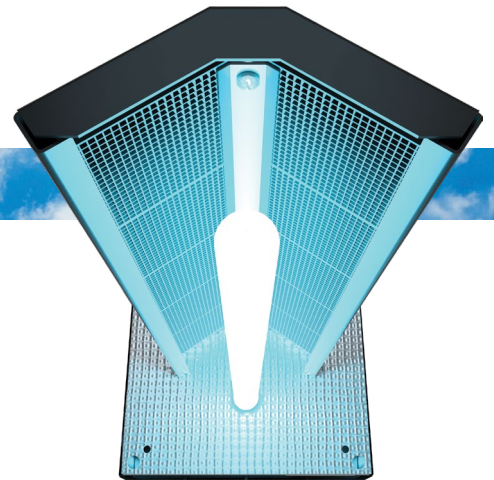


APCO-X

AIR TREATMENT SYSTEM



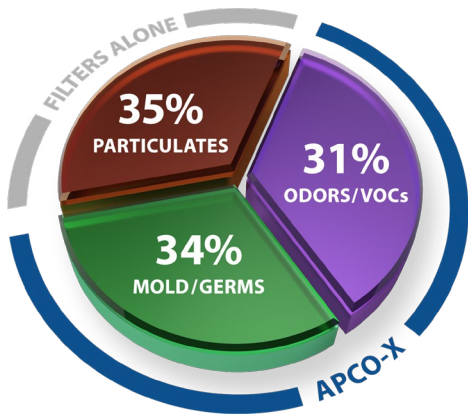
Introducing our most advanced whole-house air treatment system yet. APCO-X is the result of ten years of APCO development. It has revolutionized indoor air quality with significantly improved performance, functionality, and reliability.

FEATURES

- Proven effective against SARS-COV-2 [TEST RESULTS PDF](#)
- 33% more effective than previous model in laboratory tests
- V-Twin carbon element with 65% more effective surface area
- EverCarbon™ cells with antimicrobial nanotechnology
- 3 year UV-C lamp
- LED status and lamp fault indicator
- Translucent polycarbonate housing
- Face-plate rotates for 90° installation

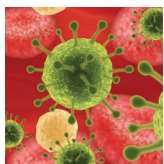
BENEFITS

- Whole-house air purification
- Neutralizes odors & toxic VOCs
- Kills viruses, mold, & bacteria
- Improves indoor air quality
- Inhibits HVAC mold growth



APCO-X
KILLS VIRUSES &
NEUTRALIZES VOCs

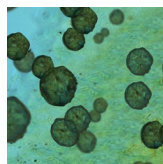
Kills Microbes & Neutralizes Odors/VOCs



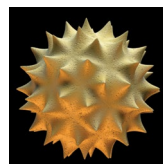
VIRUSES



BACTERIA



MOLD



ALLERGENS



PET ODORS



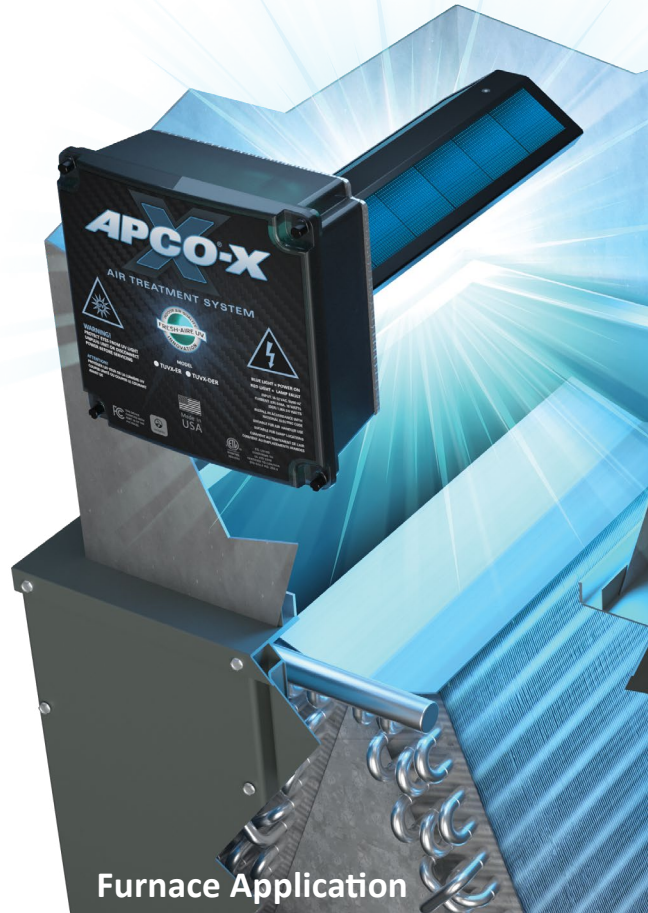
TOBACCO



FOOD SMELLS



CHEMICALS



Furnace Application

APCO-X



AIR TREATMENT SYSTEM

An entirely new V-Twin EverCarbon Matrix™ takes APCO-X to a new level of air treatment. The new configuration includes an antimicrobial nanotech coating and 65% more effective carbon surface area resulting in a 33% improvement in performance compared to the original APCO.



Award-winning APCO technology, only from Fresh-Aire UV



Validated Ozone-Free by UL



Air Handler Application

APCO-X sterilizes biological contaminants and neutralizes odors and toxic VOCs

Coil with Mold

Coil with UV Light

*APCO-X Dual systems (TUV-APCOX-DER3P & TUV-APCOX-DI3P) include a 2nd UV light for coil disinfection

Purity Low Profile (optional polarized filter) captures particulates down to .3 microns (.00001 inch).

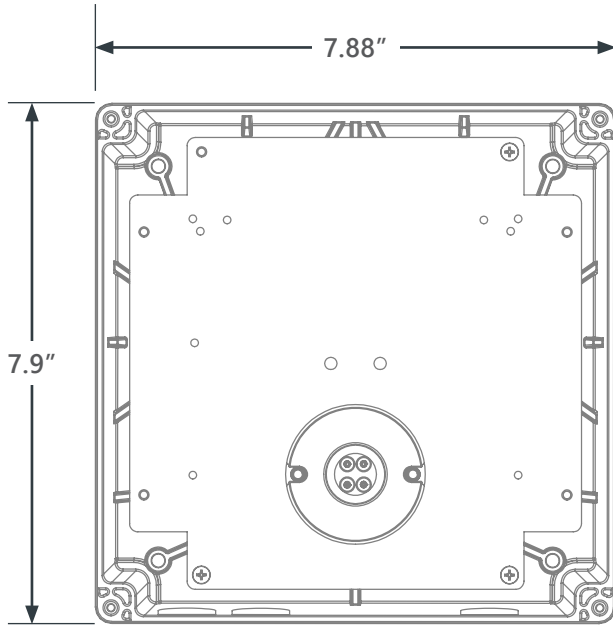


APCO-X

AIR TREATMENT SYSTEM

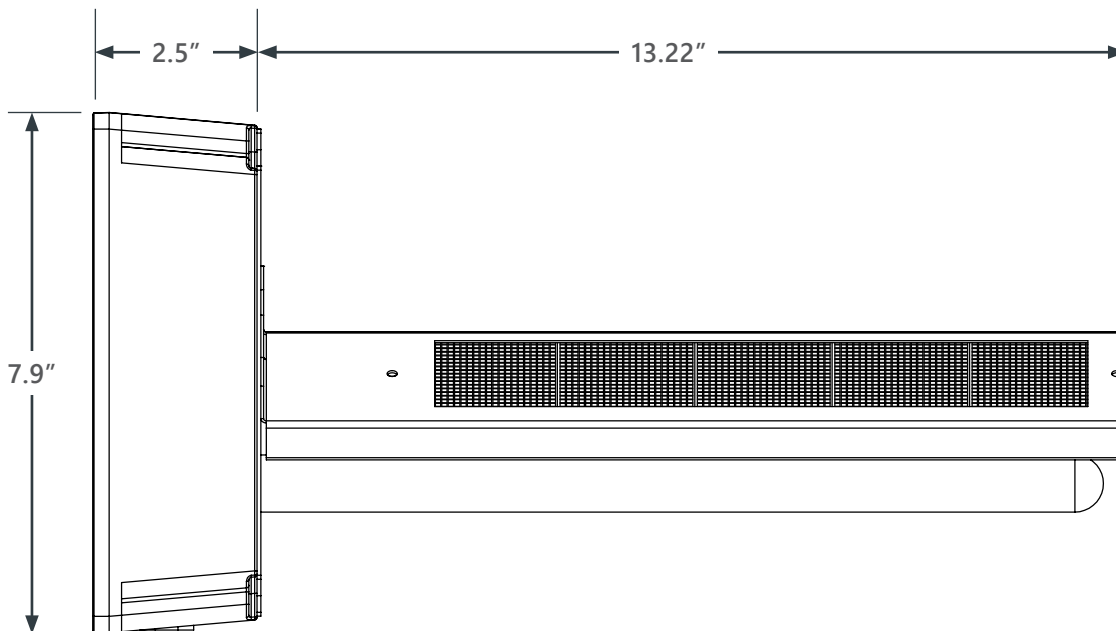


SPECS



APCO-X Specs		
UV Lamp	254 nm germicidal UV-C, quartz hot filament	
Dimensions	Cell & Lamp: 5.8"W x 3.25"H x 13.2"D Enclosure: 7.6"L x 7.6"W x 2.2"D	
ER models Electrical	18-32 VAC, 60 Hz, 0.68 Amps, 16 VA	
SI DI models Electrical	120-277 VAC, 50/60 Hz, 0.51 Amps/120V Thru 0.22 Amps/277V	
Pressure Drop	<0.01" w.c. @ 400 FPM	
Warranty	Lifetime for all parts except lamp	
Part Numbers		
18-32 VAC		Replacement Lamp
TUV-APCOX-ER3	3 Year Lamp	TUVL-315
18-32 VAC with 2nd UV Lamp for Coil		Replacement Lamps
TUV-APCOX-DER3	3 Year Lamp (2)	TUVL-315
120-277 VAC		Replacement Lamp
TUV-APCOX-SI3P	3 Year Lamp	TUVL-315
120-277 VAC with 2nd UV Lamp for Coil		Replacement Lamps
TUV-APCOX-DI3P	3 Year Lamp (2)	TUVL-315

EPA
Est. Reg. No.
075179-FL-002



WWW.FRESH-AIREUV.COM



SALES@FRESH-AIREUV.COM

800-741-1195

APCO-X SPECS 120820